

SGLB-2 SIGNATURE SERIES GRADE LEVEL BOX WITH **SELFLOCK™** PROTECTION



SELFLOCK™

The Signature Series SGLB-2 High Density Polyethylene (HDPE) grade level box line comes standard with Customizable Logo Disk and the Patented **SELFLOCK™** automatic locking mechanism.

FEATURES

- Designed for Greenbelt/Pedestrian applications
- Captive bolt device, that opens with a ¼ turn
- No bolts to be lost, misplaced, or not installed back into the unit
- Press/Push lid closed, and it will automatically lock in place (with an audible “click”)
- Secondary lock option
- Temporary drop port
- Protects your investment, and ensures the needed protection for your network
- Eliminates the risk of lids floating off, being thrown by lawnmowers (i.e. reduces potential liability)

SIMPLE AND WORRY FREE PROTECTION



SELFLOCK™
closes and seals with audible "Click"



Captive bolt device opens with only 1/4 turn



Shown with Optional Marker Locate Device

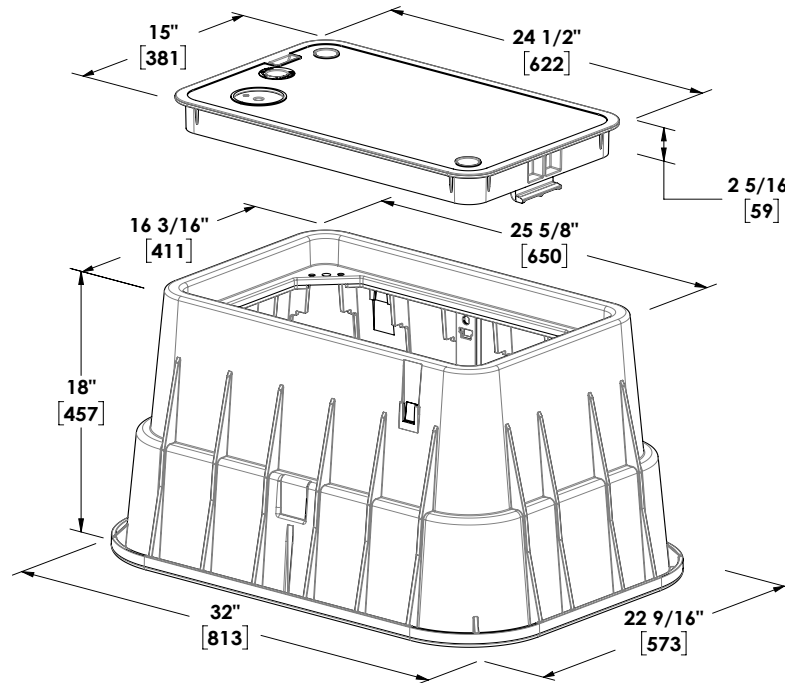


Temporary drop port



Secondary locking feature utilizing optional bolts

DIMENSIONS



CHANNELL

Where The Industry Connects.

www.channell.com