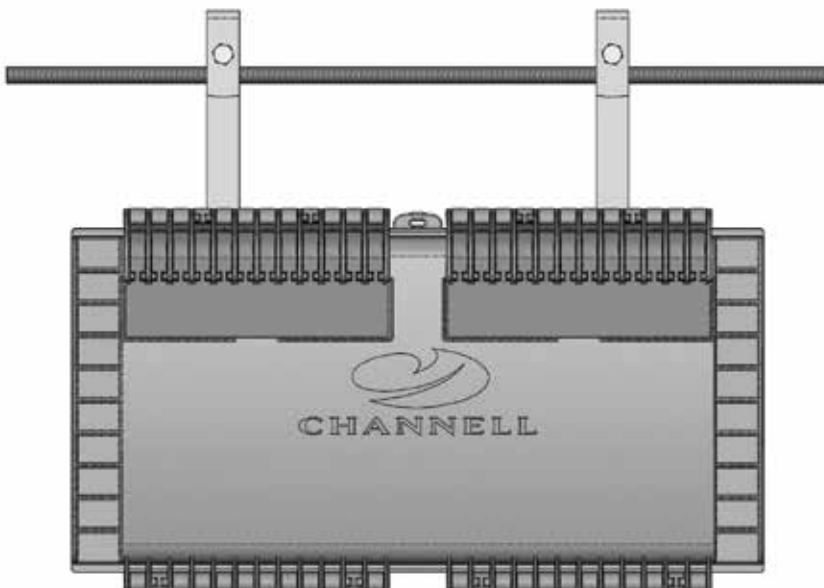


DROP CABLE INSTALLATION



YellowJacket™ Aerial Terminal



100%
Made in
USA



CHANNELL

channel.com

Table of Contents

- I. Drop Cable Installation and Splicing..... 3
- II. Drop Cable Door Reversal..... 4 - 6



I. Drop Cable Installation and Splicing

- The drop ports on the interior door of the closure will accommodate up to 16 (5mm OD max) round or flat drop cables for distribution.

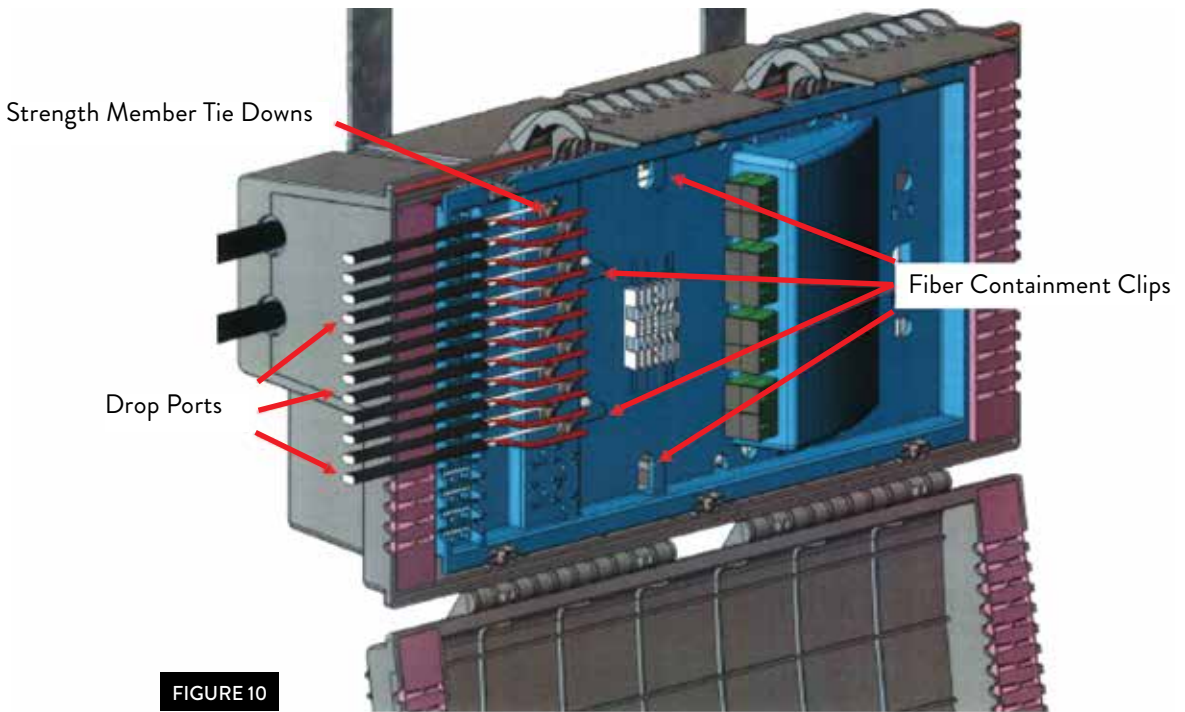


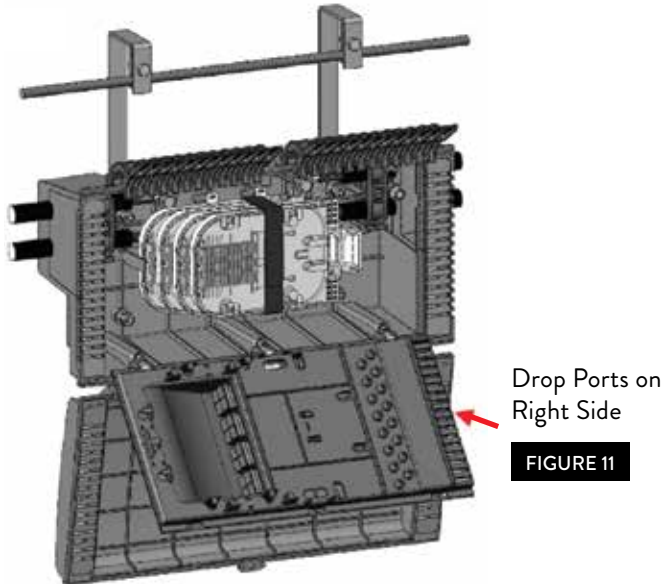
FIGURE 10

1. With the inner adapter panel locked in place covering the splice tray and cable storage, prepare your drop cables for installation.
2. Remove 36" (914mm) of the sheath and cut the strength member to 2" (51mm). Depending on the slot used for the drop cable the strength member will be trimmed down to go under the head of the screw but butt up against the stop beyond the tie down screw.
3. If flat cable, the cable will lay vertically in the slots. [Figure 10]
4. The sheath of the drop cable should extend inside of the enclosure beyond the rubber seal. The amount of sheath which protrudes into the closure will vary depending upon the drop's position.
5. The buffer tube, if applicable, will be removed ½"(12.7mm) beyond the strength member tie down screw using company approved practices.
6. Using the fiber containment clips route the fiber around the splice chip provided and splice according to engineering.

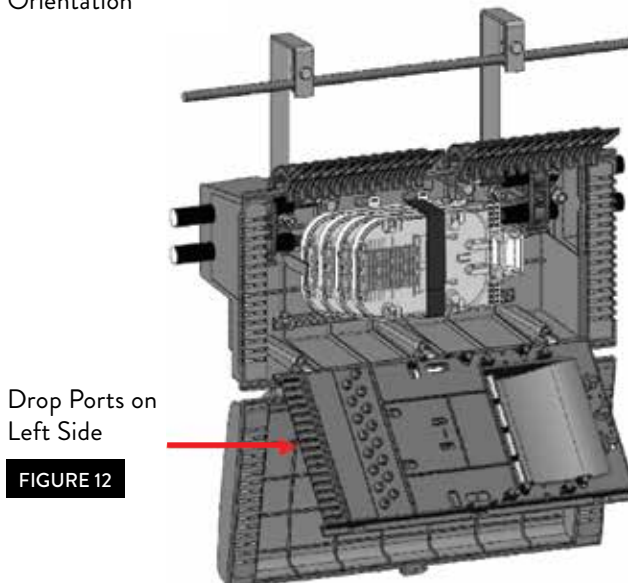
II. Drop Door Reversal

- In the case where the drop cables will enter from the opposite direction than how the enclosure is configured, the Drop Door can be reversed. [Figure 11-12]

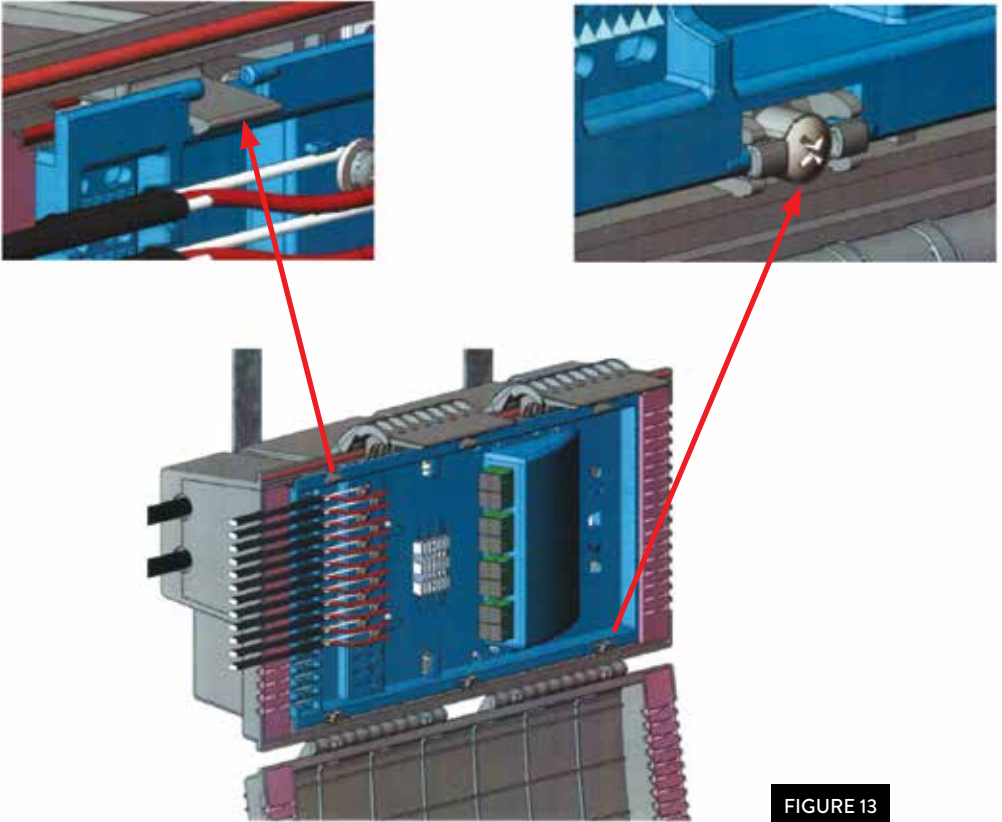
Right Side Orientation



Left Side Orientation



1. To reverse the orientation of the Drop Door you must remove the three hinges that hold the door in place and switch sides that is currently holding the clips that keep the door closed. [Figure 13]



2. On the back side of the Drop Door there is a piece of spiral wrap that contains the outputs of the splitters from the splice tray. You will need to unhook the spiral wrap from the clips that are holding it in place and switch the spiral wrap to the other side of the Drop Door and hook it back into the holders on the Drop Door. [Figure 14]

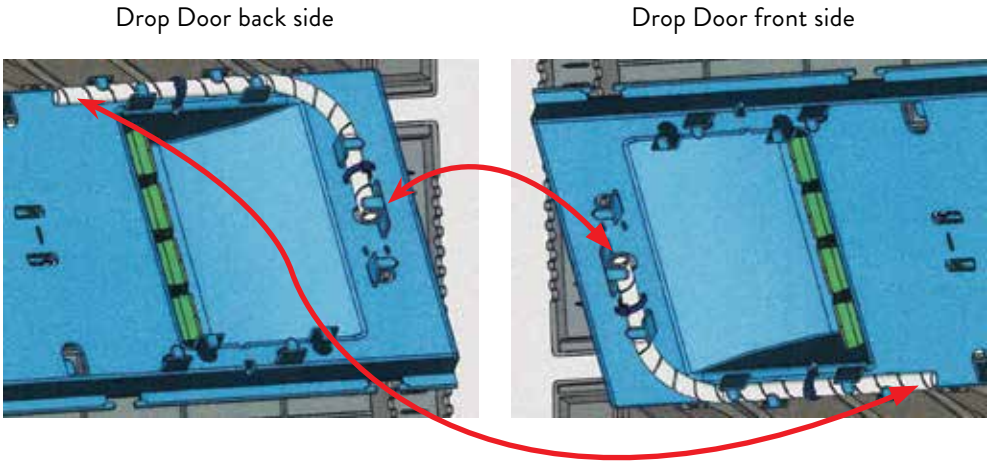


FIGURE 14



CHANNELL

Where The Industry Connects.

WORLDWIDE HEADQUARTERS: Channell Commercial Corporation, Rockwall, TX, United States • Tel 800.423.1863 • Fax 951.296.2322

CANADA: Channell Canada, Inc., Mississauga, ON, Canada • Tel 905.565.1700 • Fax 905.565.8282

EUROPE, MIDDLE EAST, AFRICA: Channell Ltd., Dartford, United Kingdom • Tel 44.1322.312590 • Fax 44.1322.508490

AUSTRALIA, ASIA, PACIFIC RIM: Channell Pty. Ltd., Seven Hills, NSW, Australia • Tel 61.2.8884.4111 • Fax 61.2.8814.8841

www.channell.com

All specifications subject to change without notice. © 2022 Channell Commercial Corporation. All rights reserved.