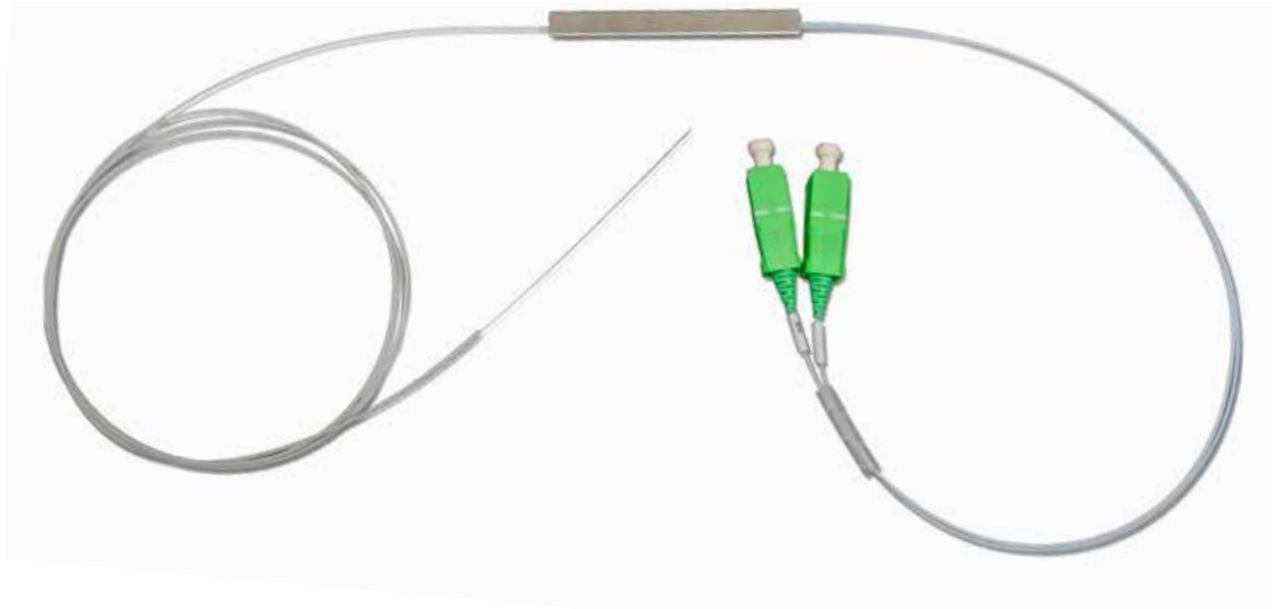


FIBERX TERMINAL & CLOSURE SPLITTERS



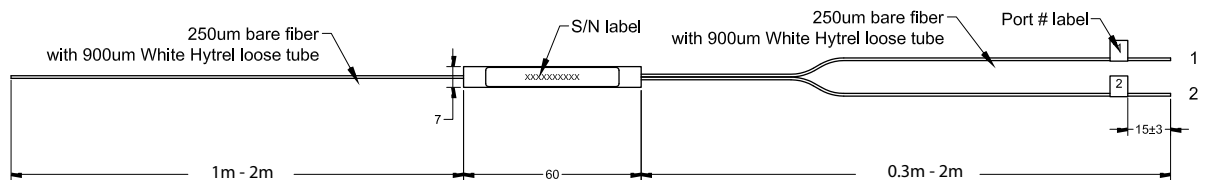
FEATURES

- High Reliability
- Robust Performance
- Compact Package
- RoHS Compliant

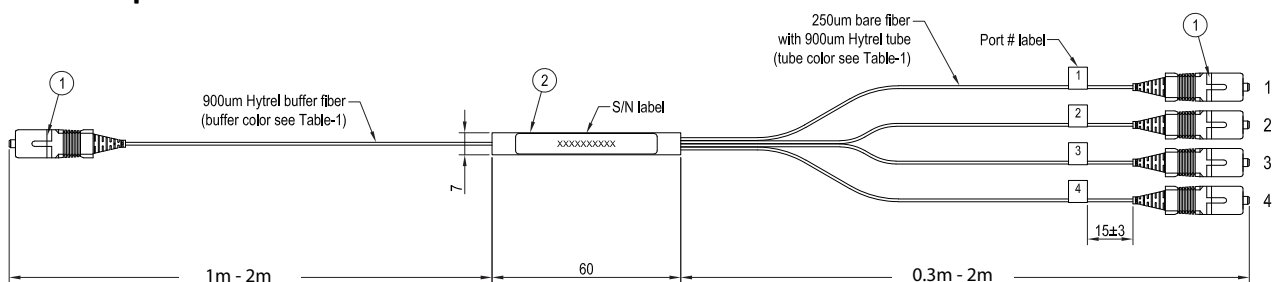
APPLICATIONS

- Telecommunications
- Network Monitoring
- FTTX

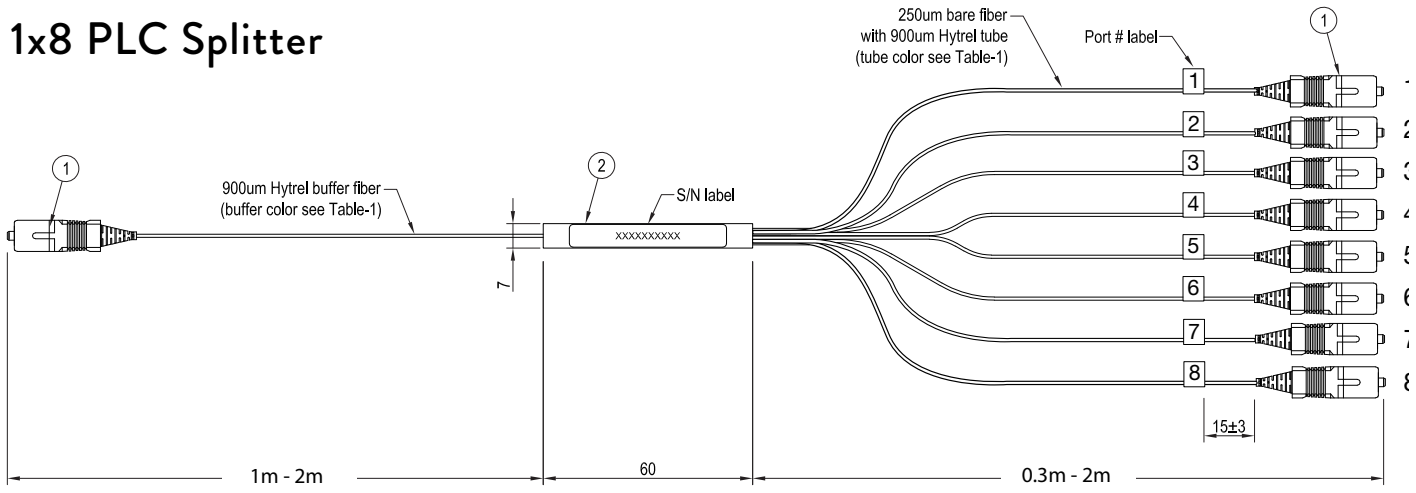
1x2 PLC Splitter



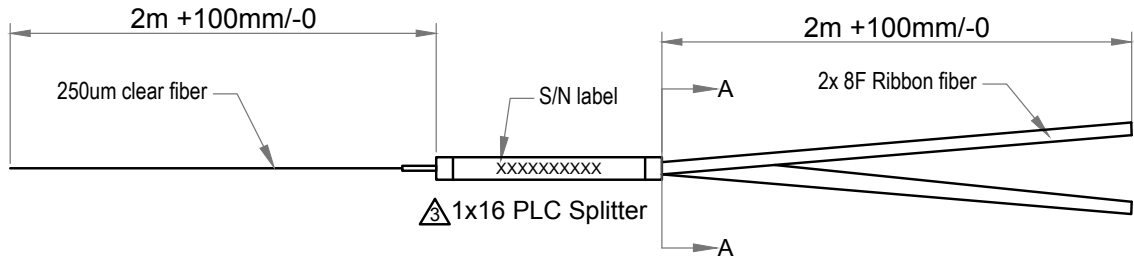
1x4 PLC Splitter



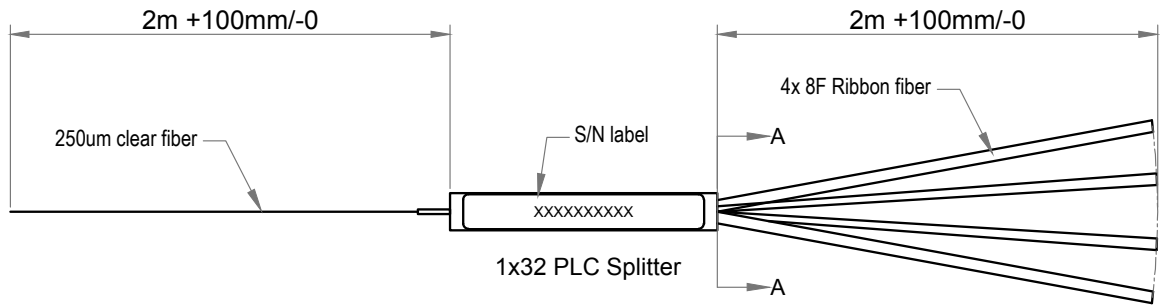
1x8 PLC Splitter



1x16 PLC Splitter



1x32 PLC Splitter



SPECIFICATIONS (ALL TYPES)

CONFIGURATION TYPE	1x2	1x4	1x8	1x16	1x32
Operating Wavelength Range (nm)	1260 ~ 1650	1260 ~ 1650	1260 ~ 1650	1260 ~ 1650	1260 ~ 1650
Insertion loss (dB)	≤ 3.8	≤ 7.7	≤ 7.7	13.7	16.9
Uniformity (dB)	≤ 0.4	≤ 0.8	≤ 0.8	1.2	1.5
PDL Max (dB)	≥ 0.2	≥ 0.2	≥ 0.2	0.3	0.3
Return Loss Min (dB)	≥ 55	≥ 55	≥ 55	55	55
Directivity Min (dB)	≥ 55	≥ 55	≥ 55	55B	55
Operating Temperature (°C)	-40 ~ +85°	-40 ~ +85°	-40 ~ +85°	-40 ~ +85°	-40 ~ +85°
Storage Temperature (°C)	-40 ~ +85°	-40 ~ +85°	-40 ~ +85°	-40 ~ +85°	-40 ~ +85°
Fiber Type	G.657A1	G.657A1	G.657A1	ITU-T G.657.A1	ITU-T G.657.A1
Dimensions LxWxH (mm)	60 x 7 x 4	60 x 7 x 4	60 x 7 x 4	60 x 7 x 4	60 x 7 x 4
Connector Type	SC/APC or Leads Only	SC/APC or Leads Only	SC/APC or Leads Only	SC/APC or Leads Only	Leads Only

Values taken at room temperature, 1310 and 1550nm.
Values including PDL, but not including WDL and TDL.

PART NUMBERS

PART #	DESCRIPTION
SPL1X02CNAANPPK	Splitter 1x2 PLC 60x7x4, 1.5m splice input, 0.3m SC-APC output, Green Hornet, 12-pack
SPL1X04CNAANPPK	Splitter 1x4 PLC 60x7x4, 1.5m splice input, 0.3m SC-APC output, Green Hornet, 12-pack
SPL1X08CNAANPPK	Splitter 1x8 PLC 60x7x4, 1.5m splice input, 0.3m SC-APC output, Green Hornet, 12-pack
SPL1X02BNBANPPK	Splitter 1x2 PLC 60x7x4, 1m splice input, 1m SC-APC output, Yellow Jacket, 12-pack
SPL1X04BNBANPPK	Splitter 1x4 PLC 60x7x4, 1m splice input, 1m SC-APC output, Yellow Jacket, 12-pack
SPL1X08BNBANPPK	Splitter 1x8 PLC 60x7x4, 1m splice input, 1m SC-APC output, Yellow Jacket, 12-pack
SPL1X02DNDNNPPK	Splitter 1x2 PLC 60x7x4, 2m splice input, 2m splice output, Green Hornet and Yellow Jacket, 12-pack
SPL1X04DNDNNPPK	Splitter 1x4 PLC 60x7x4, 2m splice input, 2m splice output, Green Hornet and Yellow Jacket, 12-pack
SPL1X08DNDNNPPK	Splitter 1x8 PLC 60x7x4, 2m splice input, 2m splice output, Green Hornet and Yellow Jacket, 12-pack
SPL1X16DNDNNPPK	Splitter 1x16 PLC 60x7x4, 2m splice input, 2m splice output, Green Hornet and Yellow Jacket, 12-pack
SPL1X32DNDNNPPK	Splitter 1x32 PLC 60x7x4, 2m splice input, 2m splice output, Green Hornet and Yellow Jacket, 12-pack



CHANNELL

Where The Industry Connects.

WORLDWIDE HEADQUARTERS: Channell Commercial Corporation, Rockwall, TX, United States • Tel 800.423.1863 • Fax 951.296.2322

CANADA: Channell Canada, Inc., Mississauga, ON, Canada • Tel 905.565.1700 • Fax 905.565.8282

EUROPE, MIDDLE EAST, AFRICA: Channell Ltd., Dartford, United Kingdom • Tel 44.1322.312590 • Fax 44.1322.508490

AUSTRALIA, ASIA, PACIFIC RIM: Channell Pty. Ltd., Seven Hills, NSW, Australia • Tel 61.2.8884.4111 • Fax 61.2.8814.8841

DEVELOPING LOCATION: Mexico City, D.F., Mexico

www.channell.com

All specifications subject to change without notice. © 2021 Channell Commercial Corporation. All rights reserved.