

Network Termination/ IW Wire Management Enclosures

NEW!



Channell's thermoplastic wall-mount Network Termination and Inside Wire (IW) Bridging Interface enclosures provide customers with a combination of connector options and customized pair terminations to meet current and upgrade

requirements for copper wire interconnections. The wall-mount boxes utilize Channell's exclusive Mini-Rocker™ sealed, tool-less IDC connectors that permit fast, reliable and cost effective installations, resulting in higher quality connections at reduced costs.

Mini-Rocker Connection System features and benefits include:

- UL listed and Category 5 classified
- The Mini-Rocker Connection System will accommodate most wire design with conductor sizes of 26 AWG -22 AWG (0.4mm to 0.6 mm)
- Pair-at-a-time connections mean copper pairs dramatically reduce time to wire installation and improved wire management
- Insulation Displacement Contacts (IDC) eliminate the need to strip wires, resulting in faster on-site connections
- Tool-less Operation: Finger operated receivers and audible latch down action eliminates problems of breakage through improper use of tools
- Transparent wire receivers allow visual confirmation of proper wire insertion and IDC contact
- High Viscosity Compound (HVC) environmentally seals the connection points eliminating any corrosion and enabling the Mini-Rocker to function in hostile environments
- Quiet-front design and easy test access eliminates incidental contact

CUSTOMER TERMINATION BOXES (CTB)

CTB5, CTB10 and CTB20 Customer Termination Boxes provide a central point of termination and wire management between the network operator demarcation interface or service drop and building wire. CTB pair count configurations are available for 5-pairs to 20-pairs.

A second application for special configurations of the CTB5 and CTB10 enclosure provides management of multiple "home run" IW wires from one or two common single line inputs.

Applications

- Control systems and security applications
- Cross connect point for voice and data
- Drop wire terminations for telecommunications cables

Features

- UV protected thermoplastic construction
- Fitted with environmentally sealed Mini-Rocker™ IDC connectors

- Suitable for copper wire termination
- No tools required for termination, 26AWG - 22AWG (0.4mm-0.6mm)
- UL listed, Category 5 connectors
- Positive latching in both open and closed positions
- Bridging module used as "common IW block" for telephone extensions

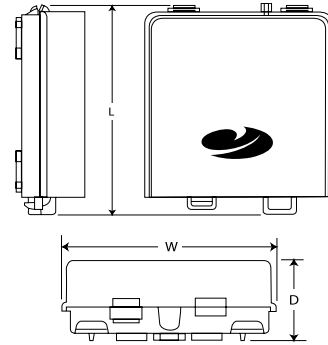
Specifications

Dimensions

Description	Length	Width	Depth
CTB05	3.5" (90mm)	4.7" (120mm)	1.9" (47mm)
CTB10	6.5" (165mm)	5.1" (130mm)	1.9" (47mm)
CTB20	9.3" (235mm)	6.1" (155mm)	2.2" (57mm)

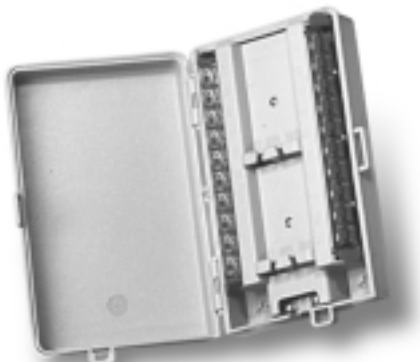
Packaging

Description	Shipping	Weight
CTB05	1800 cartons per pallet	0.35 lbs (0.17 kg) carton
CTB10	900 cartons per pallet	0.45 lbs (0.28 kg) carton
CTB20	450 cartons per pallet	1.0 lbs (0.52 kg) carton



Ordering Information

Customer Termination Box (CTB) * Application - Network Termination



Part Number	Description
CTB05E01	Enclosure with one 5-pair symmetrical MiniRocker Module
CTB10E02	Enclosure with two 5-pair symmetrical MiniRocker Modules
CTB20F02	Enclosure with two 10-pair symmetrical MiniRocker Modules

Application - Inside Wire Management

Part Number	Description
CTB05C01	Enclosure with one 1-in/4-Out Bridging Module
CTB10D01	Enclosure with one 1-in/5-Out Bridging Module
CTB10D02	Enclosure with two 1-in/5-Out Bridging Modules



* Refer to Copper Connectivity products catalogue for available MiniRocker accessories

UNIVERSAL DISTRIBUTION BOXES (UDB)

Universal Distribution Boxes are outdoor enclosures designed for multiple applications. Similar in design and construction, two sizes are offered for various capacity requirements. One version of the UDB is equipped as a central point of termination and wire management between the network operator demarcation interface or service drop and the inside building wire. The UDB50 accommodates up to 50 pairs, and the UDB100 accommodates up to 100 pairs.

Applications

- Building interface for distribution drop and inside wires
- Distribution and cross connect point for voice/data
- Drop wire termination/IW wire management

Features

- Will accept looped or single cables
- UV protected, durable thermoplastic construction

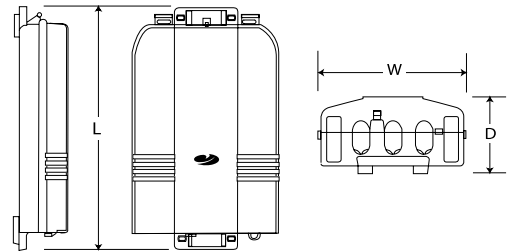
Specifications

Dimensions

Description	Length	Width	Depth
UDB50	10.4" (263mm)	8.7" (220mm)	3.3" (83mm)
UDB100	16.3" (414mm)	11.4" (289mm)	3.8" (96mm)

Packaging

Description	Shipping	Weight
UDB50	1 per carton, 240 per pallet	2 lbs (1 kg) carton
UDB100	1 per carton, 80 per pallet	4 lbs (1.7 kg) carton



The Channell MiniRocker 10-pair modules can be added to the UDB enclosures as needed for both first installation and future upgrades.

A second application for special versions of the UDB enclosures is designed for the centralized management of multiple "home run" IW wires from single line inputs. Individual one-in/five-out bridging modules are provisioned for each line. The UDB enclosures can be purchased with one or more bridging modules and can be upgraded as needed with additional modules.

- Fitted with moisture resistant connectors
- Internal and external use
- Pole/wall mountable
- Positive lid latching in both open and closed positions
- Loaded with Mini-Rockers IDC connector modules
- Secure to prevent unauthorized access

Ordering Information

Universal Distribution Box (UDB) *

Application - Network Termination



Part Number	Description
UDB50B01	Enclosure fitted with one 10-pair symmetrical MiniRocker Module
UDB50B05	Enclosure fitted with five 10-pair symmetrical MiniRocker Modules
UDB100B03	Enclosure fitted with three 10-pair symmetrical MiniRocker Modules
UDB100B10	Enclosure fitted with ten 10-pair symmetrical MiniRocker Modules

Application - Inside Wire Management Terminal Interface

Part Number	Description
UDB50A01	Enclosure with one 1-In/5-Out Bridging Module
UDB50A06	Enclosure with six 1-In/5-Out Bridging Modules



* Refer to Copper Connectivity products catalogue for available MiniRocker accessories



UNITED STATES

Tel: 800.423.1863
Fax: 909.296.2322

CANADA

905.565.1700
905.565.8080

UNITED KINGDOM

44.1689.871522
44.1689.833428

AUSTRALIA

61.2 9738.8277
61.2 9738.9763

Worldwide Headquarters: 26040 Ynez Road • P.O. Box 9022 • Temecula, CA 92589-9022