



CHANNELL
Where The Industry Connects.®

ORDERING
GUIDE

NEW!
MADE IN U.S.A.

Mini-Rocker® Jacks for Digital Voice Applications

Solutions for Digital Voice Inside Wire Connection/Management



Duplex Flush-Mount Mini-Rocker Jacks

Applications

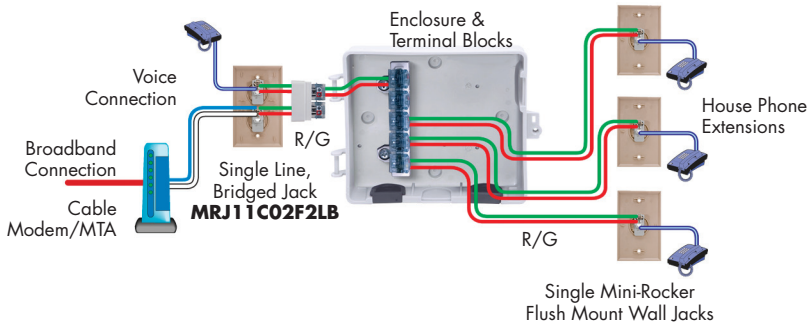
- Termination of existing inside wiring of RJ interface for either home run or loop wiring configuration
- Modular design permits upgrading of existing flush-mount jacks
- Available in single and duplex jack configurations
- MRJ-11 products for single line applications
- MRJ-14 products for two line applications

Features

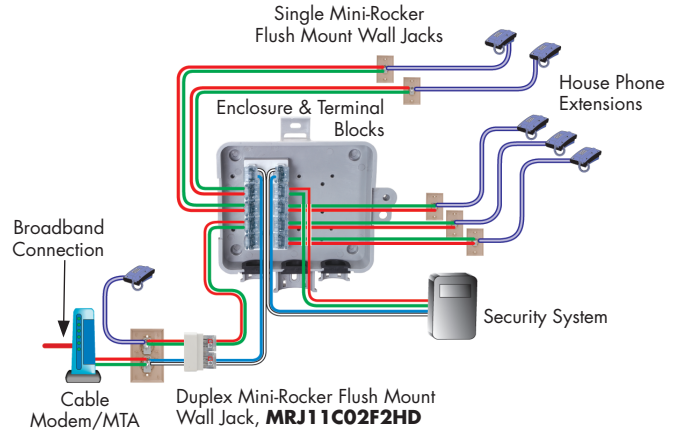
- Fitted with environmentally sealed Mini-Rocker IDC connectors
- Provides a test point on each connector, permitting individual line testing and fault isolation
- No tools required for termination, 26AWG - 19 AWG (0.4mm - 0.9mm)
- UL listed, Category 5 connectors
- Time saving internal bridge connections in "LB" product for non-security system installations
- Single port configurations available for repair applications

Applications and Ordering Information

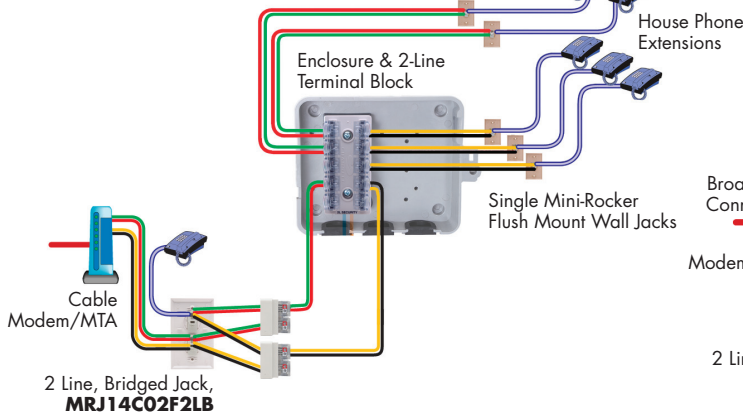
Single Line Digital Voice Installation using Mini-Rocker Wire Terminals and Flush Mounted Jacks



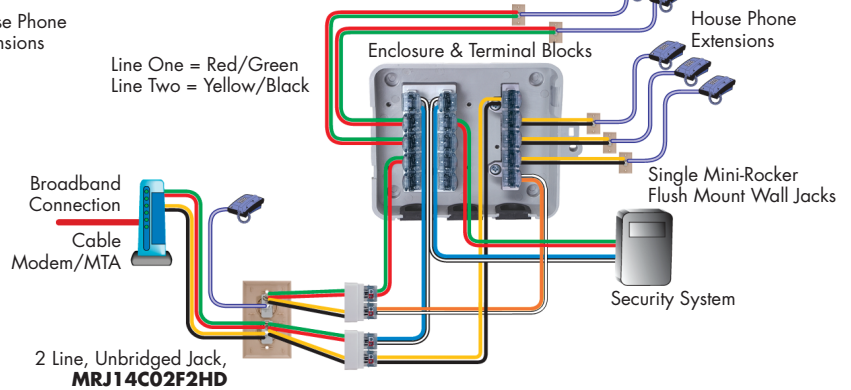
Single Line Digital Voice Installation with Security System



Two Line Installation using Mini-Rocker Dual Five-Pair Block with RJ-14 Terminals



Two Line Voice Connection from Existing Modem Location with Security System



| | |
|---------------------------|--|
| | MRJ - XX CXX XX XX |
| Mini-Rocker Jack | |
| Jack Type | |
| 11 | - RJ-11, One-line |
| 14 | - RJ-14, Two-line |
| Color | |
| C01 | - White |
| C02 | - Ivory |
| C12 | - Universal Bridge Splice Kit Only (White/Ivory) |
| Jack Configuration | |
| F1 | - Flush-Mount, Single |
| F2 | - Flush-Mount, Duplex |
| F3 | - Flush-Mount, Universal Single/Duplex Lit (Color C12 Only) |
| K1 | - Kitchen Plate-Mount, Single |
| Wire Splicing | |
| UB | - Universal Bridge Kit (applies to MRJ-11 only) |
| LB | - Loop Bridge |
| HD | - Home Run, duplex, for security system installations (does not apply to MRJ14/F1) |

Example: MRJ14C01F2HD, Mini-Rocker Jack, Two Line RJ14, White, Flush-Mount Duplex Home Run for Security System Installation



CHANNELL

Where The Industry Connects.®

USA: Channell Commercial Corporation, Temecula, CA • Tel. 800.423.1863 • Fax. 951.296.2322

CANADA: Channell Canada, Inc. • Tel. 905.565.1700 • Fax. 905.565.8080

WORLDWIDE HEADQUARTERS: Channell Commercial Corporation • Tel. 951.719.2600 • 26040 Ynez Road • P.O. Box 9022 • Temecula, CA 92589-9022 USA

All specifications subject to change without notice.

www.channell.com

Printed in U.S.A. CH09-112 05095MTA