

## BMT-415 Bracket Mounted Terminal

Solutions for AT&T below grade copper rehabilitation



*BMT-415 Bracket Mounted Terminal*

### Applications

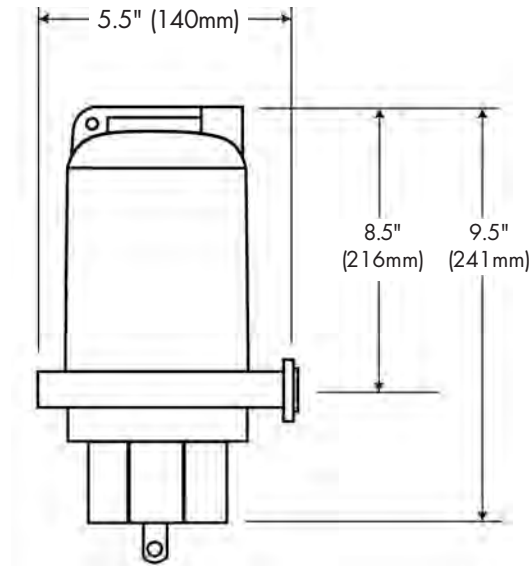
- New installations of fixed count terminals including below-grade (SGLB), pedestal and pole mounted applications
- Rehabilitation of existing copper plant in below grade, pedestal and pole mounted applications

### Features

- Small, lightweight terminal closure designed to fit in the tightest locations
- Available in pair counts up to 15-pair
- Terminal block cable stub is filled shielded, 12-feet long
- Preinstalled with eight 3-pair filled shielded drop cables 8-feet in length
- Drops are preinstalled with AT&T approved grounding/bonding hardware
- Optional mounting bracket

# Application and Product Information

## Dimensions



## Installation

1. Splice the 15-pair fixed count terminal block onto the existing cable using AT&T approved hardware and methods.
2. Splice existing drop cables onto the corresponding number of pre-installed drop cables on the BMT-415 closure. Use AT&T approved drop splice closures as needed. Coil and tie-wrap unused drop cables for future use.
3. Connect ground bar to AT&T approved grounding/bonding hardware using AT&T approved practice.
4. Connect active drop wires to the Mini-Rocker™ terminal block.
5. Secure the closure by making sure the O-ring is in place on the base of the unit, the dome is in place and the clamp is properly secured on the flange made between dome and base.
6. An optional mounting bracket ( PID # \_? ) can be used to mount the finished closure to the side wall of the grade level box as needed.

PRODUCT DESCRIPTION	AT&T PID No.	CHANNELL PART NO.	UNIT	MIN. ORDER QTY.	STANDARD PACK
 <p>4" x 10" Bracket Mounted Terminal, 10-Pr. Mini-Rocker terminal block, 1 2-ft. filled shielded cable stub, 3-Pr. 8-ft. pre-installed cables, pre-installed grounding hardware included</p>	?	BMT41515B2A50XX	1 ea.	1 Box	2/Box
 <p>Replacement Dome</p>	?	190045	1 ea.	1 Box	1/Box
 <p>Replacement Clamp</p>	?	180203	Box	1 Box	10/Box
 <p>Replacement base/dome sealing ring</p>	?	180201	1 ea.	1 Box	10/Box
 <p>Mounting bracket kit</p>	?	180062	1 ea.	1 Box	1/Box



**CHANNELL**

Where The Industry Connects.™

**AMERICAS:** Channell Commercial Corporation, Temecula, CA • Tel. 800.423.1863 • Fax. 951.296.2322

**CANADA:** Channell Canada, Inc. • Tel. 905.565.1700 • Fax. 905.565.8080

**WORLDWIDE HEADQUARTERS:** Channell Commercial Corporation • Tel. 951.719.2600 • 26040 Ynez Road • P.O. Box 9022 • Temecula, CA 92589-9022 USA

All specifications subject to change without notice.

[www.channell.com](http://www.channell.com)

Printed in U.S.A. CH08-123 03085MTA

Mini-Rocker™ is a registered trademark of Channell Commercial Corporation.